

Articolo /item

Codice / Code

BENCH GRETA CIRCULAR

AP089A

Finitura /Finishing

GALVANIZED AND POWDER COATED



A bench with essential lines, consisting of a steel frame and timber seating top.

The bench consists of two Ø60 mm round tubular supports, supplied with two base plates and a curved frame, forming a 45° angle, onto which the 370 mm long staves are fixed.

The staves can be supplied in autoclave-treated Nordic pine or, alternatively, in natural iroko.

Base plates are perforated in order to be fixed to the ground with bolts.

All metal parts are galvanized and painted with thermosetting polyester powders and are available in various RAL colours.

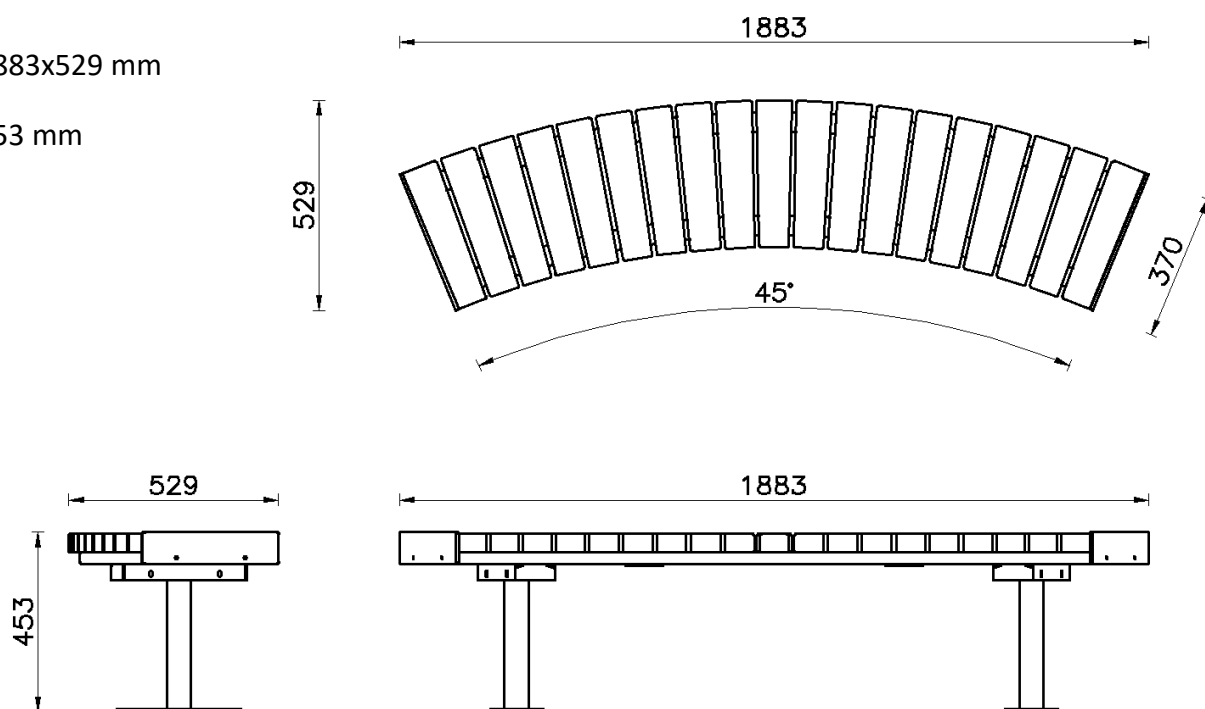
All hardware is in stainless steel.

It is possible to create compositions with several benches.

TECHNICAL INFORMATION

Dimensions 1883x529 mm

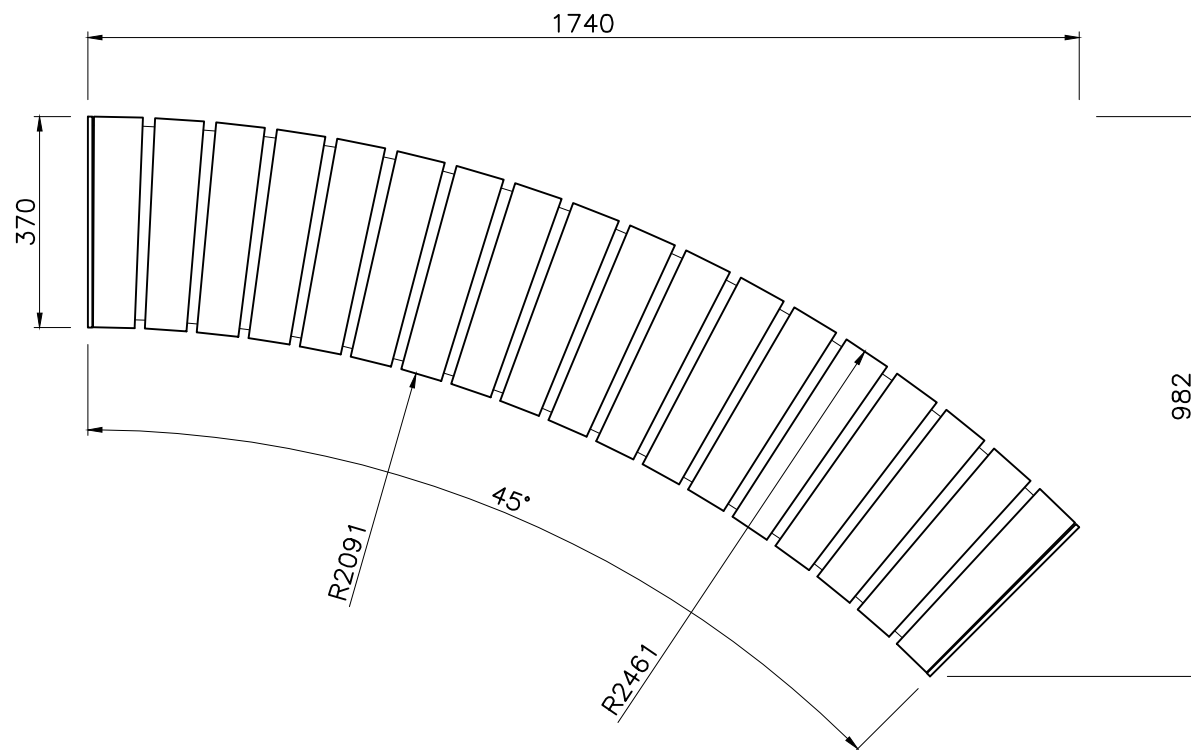
Height 453 mm


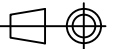


NOTE

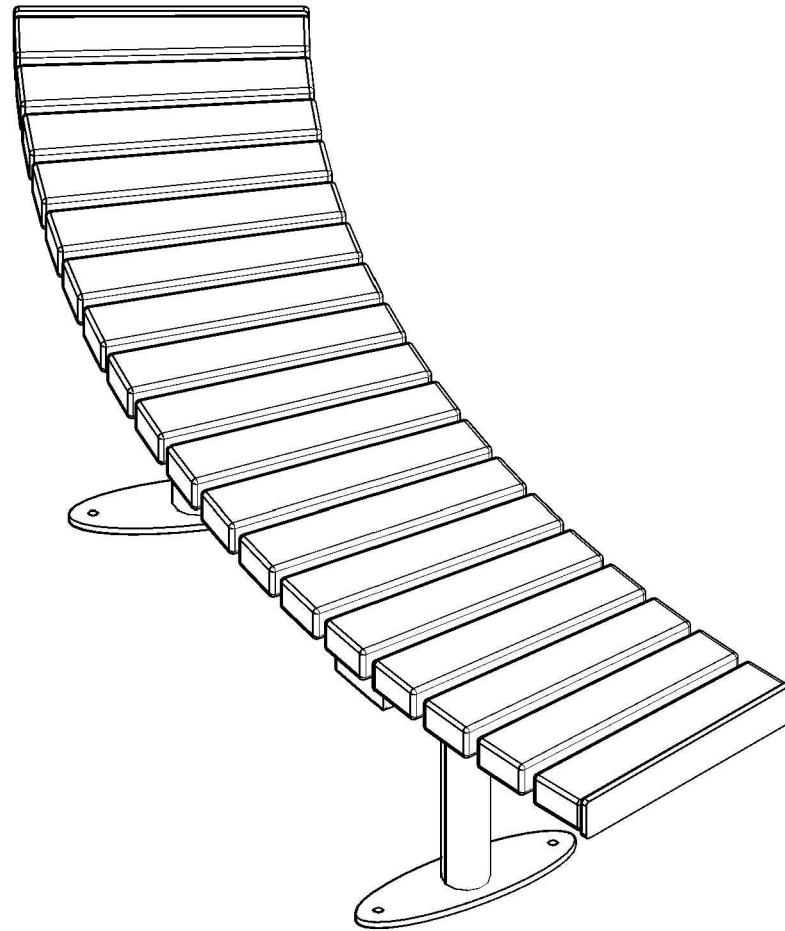
Rev. 03/2021

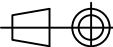
BENCH GRETA CURVED 45° L. 1740 mm



PROJECT BENCH GRETA CURVED 45°	CLIENT _____	SCALE	MAT. FIN.		TYPE	CODE
CODE _____	N° O.C. _____	DATE	SIGN ALESSANDRO GIROLAMETTO		1	
					2	
				3		
THIS DRAWING CAN'T BE USED OR REPRODUCED WITHOUT OUR AUTHORISATION					(S) SPECIFIC MEASURE (I) IMPORTANT MEASURE	

BENCH GRETA CURVED 45°



PROJECT BENCH GRETA CURVED 45°	CLIENT _____	SCALE	MAT. FIN.		<h1>HELIOS</h1>		TYPE	CODE
CODE _____	N° O.C. _____	DATE	SIGN ALESSANDRO GIROLAMETTO			1		
						2		
						3		
THIS DRAWING CAN'T BE USED OR REPRODUCED WITHOUT OUR AUTHORISATION						(S) SPECIFIC MEASURE (I) IMPORTANT MEASURE		